

SIGARMS®

SIG SAUER PISTOL Handling & Safety Instructions



P220

P225

P226

P228

P229

P239

P245

WARNING

Please read and understand this owner's manual before taking your new SIGARMS pistol out of the box. It is vital to your safety and to the safety of others that you accurately follow the information contained in this manual, as well as the information supplied by the ammunition manufacturer. If you have any questions, please call or write:

SIGARMS Inc.
18 Industrial Drive, Exeter, NH 03833
(603) 772-2302

Contents

Page

| | |
|--|------------------|
| Introduction | 3 |
| Safety Information | 4 & 5 |
| General Description & Principal Features | 6 |
| Ammunition | 7 |
| Firearms Handling | 8 & 9 |
| Troubleshooting | 9 |
| Troubleshooting Guide | 10 |
| Field Stripping | 11 & 12 |
| Assembly | 13 |
| Care of the Pistol | 14 |
| Transportation, Storage and Returns | 15 |
| Sight Adjustment and Options | 16 |
| Parts, Inspection and Maintenance | 17 |
| Warranty Statement and Service Policy | 18 |
| Specifications: | |
| P220 & P245 | 19 |
| P225 | 20 |
| P226 | 21 |
| P228 | 22 |
| P229 | 23 |
| P239 | 24 |
| Parts Diagram - P220 | 26 |
| Parts List - P220 | 27 |
| Parts Diagram - P225 | 28 |
| Parts List - P225 | 29 |
| Parts Diagram - P226 | 30 |
| Parts List - P226 | 31 |
| Parts Diagram - P228 | 32 |
| Parts List - P228 | 33 |
| Parts Diagram - P229 | 34 |
| Parts List - P229 | 35 |
| Parts Diagram - P239 | 36 |
| Parts List - P239 | 37 |
| Parts Diagram - P245 | 38 |
| Parts List - P245 | 39 |

Congratulations

You are now the owner of one of the world's finest and most superbly engineered firearms. The SIG SAUER® Semiautomatic Pistol has been designed and crafted to meet the stringent requirements of law enforcement agencies and the military. Used with the proper ammunition and given reasonable maintenance, it will serve you dependably for many years.

To make sure you get the best performance and reliability from your pistol, **please read and follow the procedures outlined in this manual.** You'll notice that we place a heavy emphasis on safe firearms handling. Like any other mechanical devices, such as automobiles or power tools, high quality firearms are inherently safe unless they are handled in a careless or irresponsible manner. Always remember that you, the owner, are the ultimate firearms safety device.

You should become familiar with your pistol and its operation before using any live ammunition or actual shooting. Study the instructions carefully and make sure you understand the pistol's operating guidelines.

This manual includes information you need to know in order to use your pistol safely and effectively. If you have any questions or comments about this pistol and its use and maintenance, or need more information about other SIGARMS products and accessories, please write or call:

SIGARMS Inc.
Customer Service Department
18 Industrial Drive
Exeter, NH 03833
Phone: 603-772-2302 Fax: 603-772-9082

California Proposition 65 Warning

“Discharging firearms in poorly ventilated areas, cleaning firearms, or handling ammunition may result in exposure to lead and other substances known to cause birth defects, reproductive harm, and other serious physical injury. Have adequate ventilation at all times. Wash hands thoroughly after exposure.”

Safety Information

Before you take your new SIG SAUER pistol out of the box,
please read the following information.
It is vital to your safety and the safety of others.

Firearms safety is your responsibility

PISTOLS are classified as FIREARMS and are sold by us with the specific understanding that we are not responsible in any manner whatsoever for their safe handling or resale under local laws and regulations. SIGARMS Inc. shall not be responsible in any manner whatsoever for malfunctioning of the firearm, for physical injury or for property damage resulting in whole or in part from (1) criminal or negligent discharge, (2) improper or careless handling, (3) unauthorized modifications, (4) defective, improper, hand-loaded, or reloaded ammunition, (5) corrosion, (6) neglect, or (7) other influences beyond our direct and immediate control. This limitation applies regardless of whether liability is asserted on the basis of contract, negligence or strict liability (including any failure to warn). Under no circumstances shall SIGARMS Inc. be liable for incidental or consequential damages, such as loss of use of property, commercial loss and loss of earnings or profits.

IMPORTANT

THE SAFEST PISTOL IS ONE THAT IS FULLY UNLOADED

What you should know about all safety mechanisms

NEVER completely trust any safety mechanism. Your pistol is equipped with an effective, well designed safety mechanism.

NO SAFETY MECHANISM, HOWEVER, IS A SUBSTITUTE FOR PROPER GUN HANDLING. Any safety mechanism can break down or malfunction. YOU, AND YOU ALONE, ARE THE ULTIMATE SAFETY MECHANISM.

Remember, there is no such thing as a "childproof" safety or one which can completely prevent accidental discharge from careless or irresponsible use.

The best safety is proper and applied training in safe gun handling.

The Ten Commandments of Firearms Safety

1. **ALWAYS** treat every gun as if it were loaded.
2. **ALWAYS** keep the gun pointed in a safe direction.
3. **ALWAYS** keep your finger off the trigger until ready to shoot.
4. **ALWAYS** keep the gun unloaded until ready to use.
5. **ALWAYS** be sure the gun is safe to operate and the barrel is clear of any obstruction.
6. **ALWAYS** use the proper, factory-made ammunition for your particular gun.
7. **ALWAYS** know your target and what is beyond it.
8. **ALWAYS** wear ear and eye protection when shooting.
9. **NEVER** use alcohol or drugs before or during handling a gun.
10. **ALWAYS** store guns and ammunition in separate locked containers, so they are secure and not accessible to unauthorized persons.

BECOME FAMILIAR WITH YOUR PISTOL, UNDERSTAND THE INSTRUCTIONS FULLY BEFORE USING IT.

WARNING

Always use the **decocking lever** to decock your SIG SAUER pistol. This is the only way to safely lower the hammer from the cocked position and prevent an accidental discharge. This warning applies to all pistols with decocking levers.

The positive way to safely lower the hammer is by use of the decocking lever. Never lower the hammer by pulling the trigger and attempting to ease the hammer forward manually. Manually lowering the hammer is dangerous and prevents full application of the pistol's safety features.

The decocking lever is the only proper means of lowering the hammer and assuring that the hammer rests in the intercept notch.

Again, **DO NOT THUMB THE HAMMER DOWN**; the consequence can be serious injury or death - **only and ALWAYS use the decocking lever!**

General Description

The SIG SAUER Semiautomatic Pistol has been designed specifically to meet the stringent requirements of military and law enforcement agencies. Manufactured by advanced state-of-the-art production processes, the SIG SAUER is a mechanically locked, short recoil operated pistol featuring an automatic firing pin safety lock, double-action/single-action trigger, decocking lever and external slide catch lever. Firing takes place with each pull of the trigger until the magazine is empty. The slide stays open after you've fired the last shot.

Principal Features

We've designed the automatic firing pin lock to provide additional safety with the hammer in either the cocked or decocked position. You can fire the pistol only by pulling the trigger. The double-action feature and the absence of manual safeties make it easier for you to get off a quick first shot. A decocking lever* allows you to lower the cocked hammer safely into the safety intercept notch without your touching the trigger. While you're doing this, the firing pin remains automatically locked. High-contrast sights help you line up on the target rapidly, even under poor light conditions. Ergonomically designed grip plates, ideal grip angle and comfortable grip dimensions facilitate rapid and accurate shooting. The closed design helps keep dirt, sand and other debris out of the action. Certain models feature an industry-standard accessory rail for easy attachment of tactical lights / laser aiming devices.

* does not apply to the Double Action Only pistols. See below.

What you should know about the decocking lever

The decocking lever on the SIG SAUER pistol is designed for the express purpose of decocking the firearm. The reason it is there is because it is **not safe** practice to decock a pistol by pulling the trigger and attempting to ease the hammer forward manually. To decock your pistol, push down the decocking lever (keep your finger **OFF** the trigger while you do this).

IMPORTANT:

Read this if you own a SIG SAUER Double-Action Only Pistol

The DAO / DAK differs from the standard pistol in several ways.

FIRST, there's no single-action position for the hammer. It returns to a decocked position after each trigger pull, so it can be fired only in double-action mode. **SECOND**, because it's double-action only, there's only one trigger pull to learn. **THIRD**, because the hammer returns to a decocked position after each shot, there's no need for a decocking lever. In all other respects, the DAO / DAK is identical in design and function. In this manual, whenever there's an instruction or information that doesn't apply to the DAO / DAK, we'll note it.

Ammunition

Your SIG SAUER pistol will function effectively and safely with a wide variety of commercial and military-standard ammunition. Here are some suggestions that will help you keep your pistol free from ammunition-related problems:

WARNING

Using the wrong ammunition could result in serious injury or death. Catastrophic damage could occur.

1. Use only ammunition of the caliber for which your pistol is chambered. The correct caliber is permanently engraved on your pistol.
2. Use only clean, dry, undamaged new factory-manufactured ammunition.
3. Always use ammunition that complies with the performance standards established by the Sporting Arms and Ammunition Manufacturers' Institute, Inc. of the United States (SAAMI).
4. Always inspect your ammunition before use to be certain all cartridges are the correct caliber for your pistol (see 1 above).
5. Keep your cartridges free of oil. Wipe the chamber clean of any oil or preservative before you shoot. Oil in the chamber creates dangerous stresses.

WARNING

READ ANY WARNINGS OR INSTRUCTIONS THAT COME WITH YOUR AMMUNITION.

Always be sure of your target, the area behind your target, and the maximum range of your ammunition.

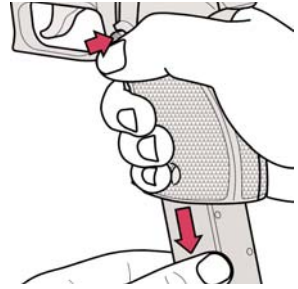
**BE AWARE OF YOUR SURROUNDINGS AT ALL TIMES!
SERIOUS INJURY OR DEATH CAN OCCUR!**

Firearms Handling

You have the pistol and ammunition, and you've read and understood all the safety instructions. You know about decocking the pistol by using the decocking lever (not applicable for DAO / DAK models). Now, you're ready to use the pistol.

Removing the magazine

Remove the magazine by pressing the magazine catch.



Retracting the slide

Draw back the slide, and engage it by pushing up the slide catch lever.



Loading the magazine

1. Press down on the magazine follower with the cartridge case rim.
2. Push the cartridge to the rear and under the magazine lips.
3. Continue until the magazine holds the desired number of cartridges.

Loading the pistol

1. Insert a loaded magazine and make sure it has engaged the magazine catch.
2. Push down the slide catch lever with your thumb, or draw back the slide as far as it will go and release, allowing the slide to snap forward into battery. This cocks the hammer (on DAO / DAK models, the hammer will be in the down position) and chambers a round.
3. Push down the decocking lever* with your thumb. The pistol is now loaded, safe and ready to fire in double-action mode. **Keep your finger off the trigger while you do this.**

Reloading during shooting

When the magazine is empty, the slide catch lever holds the slide open. Press the magazine catch to remove the empty magazine and insert a loaded one. Push down the slide catch lever with the thumb of the shooting hand, or draw back and release the slide allowing it to snap forward. The pistol is again loaded and ready to fire in the single-action mode*.

* Not valid for the DAO / DAK. See page 6 of this manual.

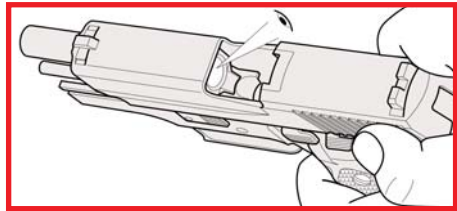
Unloading the pistol

Point the pistol in a safe direction, **keep your finger off the trigger** and remove the magazine. Pull back the slide and lock it with the slide catch lever.



Make sure the last round in the chamber has been extracted and ejected. Visually and physically check the chamber and the magazine well to make sure the pistol has been unloaded.

Release the slide on an empty chamber. Depress the decocking lever (if so equipped). The pistol is now unloaded, decocked and safe.



Troubleshooting

Firearms work reliably if properly maintained. If there is a malfunction during firing, here's what to do:

1. Keep the pistol pointed in a safe direction with your finger off the trigger.
2. Remove and secure the magazine.
3. Move the slide rearward and forward to clear any cartridge case in or near the chamber.
4. If you suspect that a bullet is lodged in the bore, field strip your pistol and check to see if the barrel is blocked. If there is a bullet lodged in the bore, return the pistol to SIGARMS Inc. See instructions on page 15.

Follow the above procedures if:

- ♦ You notice that a cartridge is difficult to chamber, **or**
- ♦ A cartridge does not go off, **or**
- ♦ The mechanism fails to extract a fired cartridge case, **or**
- ♦ You discover unburned grains of propellant powder spilled in the mechanism, **or**
- ♦ A shot sounds or feels weak or abnormal.

WARNING

IF A BULLET IS IN THE BORE, DO NOT ATTEMPT TO SHOOT IT OUT BY USING ANOTHER CARTRIDGE, OR BY BLOWING IT OUT WITH A BLANK OR A CARTRIDGE FROM WHICH THE BULLET HAS BEEN REMOVED. THIS CAN GENERATE EXCESSIVE PRESSURE, DAMAGE THE FIREARM AND CAUSE SERIOUS PERSONAL INJURY OR DEATH.

Troubleshooting Guide

| Malfunction | Cause | Correction |
|--|---|---|
| Feed: No round fed into the chamber | Magazine not properly inserted or magazine is deformed or dirty | Insert magazine properly or change magazine |
| Slide does not close easily or completely | Pistol or cartridge is fouled (dirty) or pistol is too heavily lubricated | Clean and lubricate pistol and /or replace the ammunition |
| | Pistol requires service | Return to SIGARMS |
| Extraction/Ejection: After firing, the case stays in the chamber or is jammed in the ejection port | Insufficient recoil due to dirt | Clean and lubricate the pistol |
| | Light hold or limp wrist | Solid grip, rigid hold |
| | Low powered ammunition | Change ammunition |
| | Pistol requires service | Return to SIGARMS |
| Ignition: Hammer drops but round does not fire | Firing pin obstructed | Inspect, clean and lubricate the pistol |
| | Faulty ammunition | Manually cycle in next round |
| | Pistol requires service | Return to SIGARMS |

Field Stripping

Before you take the pistol apart, **make sure it's unloaded.**

This is **essential** for your safety and the safety of others.

Field strip the pistol as follows:

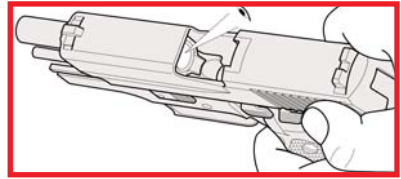
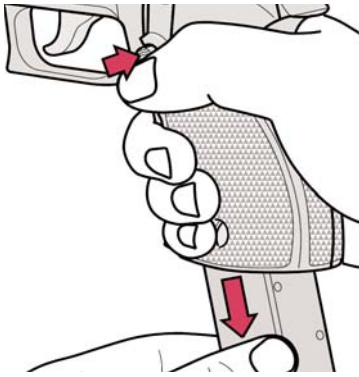


Figure A

- ◆ Press the magazine catch.
- ◆ Remove the magazine.

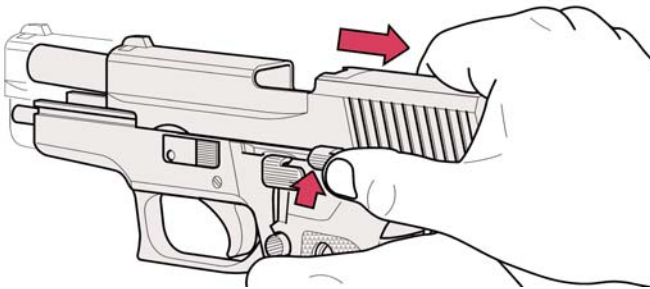
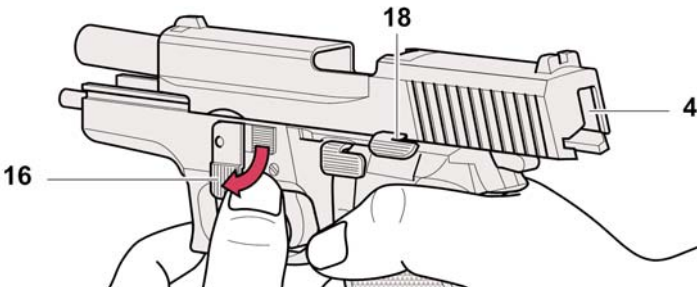


Figure B

- ◆ Pull back the slide (4) as far as it will go and hold it in the open position by pushing up the slide catch lever (18) with your thumb.
- ◆ Check carefully to ensure that the chamber is empty and the magazine well is clear (see picture on top right of page).

Figure C

- ◆ Turn the take-down lever (16) to a vertical (6 o'clock) position.



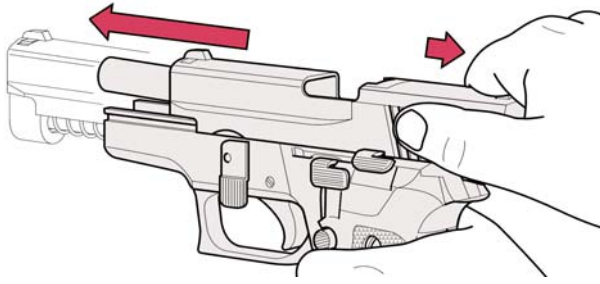


Figure C

- ◆ Pull back the slide slightly to disengage the slide catch lever. Hold the slide firmly and allow it to move forward slowly.
- ◆ Now slip the complete assembly, comprising slide, barrel, recoil spring and guide, forward and off the frame.

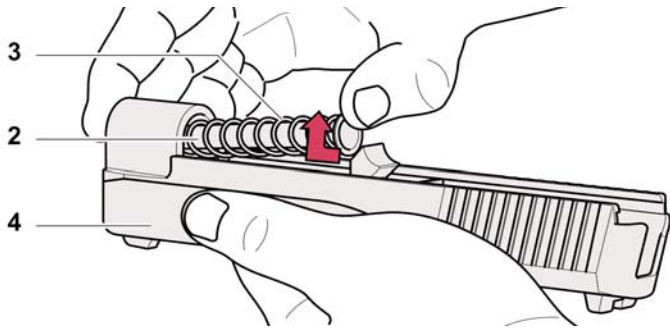


Figure D

- ◆ Remove the recoil spring (3) and guide (2), taking care to control the release of spring tension while pointing the assembly in a safe direction.
Recoil spring is under tension - use care to control spring during removal!

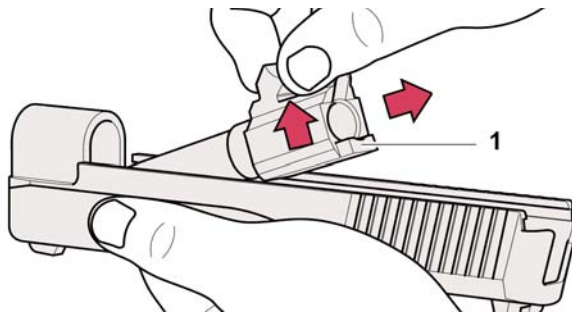


Figure E

- ◆ Remove the barrel (1) from the slide.

User Disassembly (Field Stripping)

The field stripped pistol is shown in **Figure F** below. This level of disassembly is quite sufficient to allow for cleaning & lubrication after shooting. Further disassembly should only be done by qualified gunsmiths and armorers.

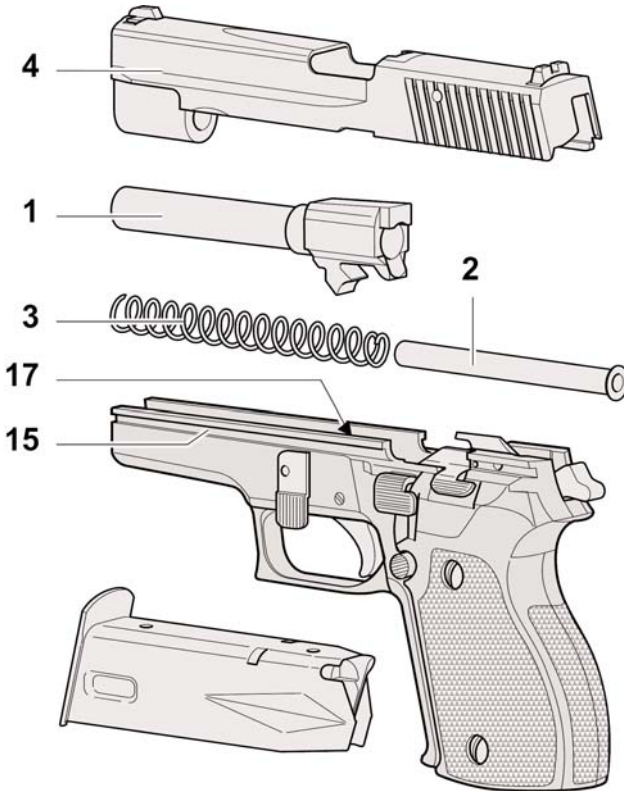


Figure F

WARNING

DO NOT ATTEMPT TO DISASSEMBLE YOUR PISTOL BEYOND THE POINT EXPLAINED IN THIS MANUAL.

Assemble the pistol as follows:

To assemble the pistol, simply reverse the steps previously shown for disassembly. Insert the barrel (1) into the slide (4); fit the recoil spring (3) and guide (2) into place. If the recoil spring and guide were separated during stripping, ensure the narrower end of the spring is slipped over the guide first. **Use caution during spring compression.** Slip the assembled slide onto the frame (15) rails until it contacts the end stop, and hold it in place with the slide catch lever (18). Rotate the take-down lever 90 degrees counter-clockwise (16). Depress the slide catch lever (18) to release slide. Decock the hammer (29) with decocking lever (40)*.

* There's no decocking lever on DAO / DAK models. See page 6 of this manual.

Caring for your Pistol

WARNING

BEFORE PERFORMING ANY CLEANING OR MAINTENANCE, MAKE SURE THE PISTOL IS COMPLETELY UNLOADED. THIS INCLUDES THE MAGAZINE AND CHAMBER.

Follow these instructions and your SIG SAUER pistol will remain in excellent condition even after years of hard service.

NOTE: Your SIG SAUER pistol comes from the factory with a light coating of protective grease and oils. **Before you fire the pistol**, you should disassemble, clean and lubricate it as recommended on this page.

WARNING

BEFORE PERFORMING ANY DISASSEMBLY, MAKE SURE YOU ARE WEARING EYE PROTECTION

Barrel and chamber:

Clean the barrel and the chamber from the rear with a quality cleaning solvent, using a cleaning rod and brush of the correct caliber. Never clean the barrel from the muzzle end. Wipe the interior and exterior of the barrel free of all residue. **Lightly** lubricate the barrel, inside and out, with a quality lubricant designed for firearms.

Breech face and locking insert:

Use a small nylon bristle brush to thoroughly clean these areas.

External metal surfaces:

After each use, wipe all metal surfaces with a cloth lightly soaked with a lubricant preservative. This will remove any foreign material and preserve the finish of the pistol. **Lightly** lubricate the recoil spring (3), recoil spring guide (2) and frame rails before reassembling the pistol.

NOTE: Some cleaning solvents may be harmful to the finish of your pistol. Read the solvent manufacturer's product use instructions and warning labels before using.

NOTE: TW-25B or a like lubricant designed for stainless steel is recommended for "All Stainless" models, such as the P220 ST or P226 ST.

IMPORTANT

It is your responsibility to maintain your pistol.

If rust appears in the bore, the barrel should be replaced.

PRIOR TO SHOOTING MAKE SURE THE BORE IS DRY.

Transport and Storage

When transporting your pistol, keep it unloaded for your safety and for the safety of others. Know and comply with all laws governing the transport of firearms in your locality. When storing your pistol, keep it unloaded and separated from ammunition, under lock and key and out of the reach of children and other inexperienced or unauthorized persons.

Returning your Firearm

When you return a pistol to the SIGARMS Inc. Service Department, here's what to do:

1. The first step is to contact Customer Service at (603) 772-2302 for an RMA number. This number allows SIGARMS to track the status of your return from it's receipt at SIGARMS through it's return to you. Please don't send your firearm until you obtain an RMA number.
2. Make sure that the chamber and magazine(s) are unloaded and that no ammunition is included with your returned firearm.
3. Package the firearm securely to prevent damage. Enclose a letter which includes your name, street address, daytime phone number, pistol model and serial number, and a detailed description of the problem you have experienced or the work you want performed. With the exception of extra magazines, do not include cases, scopes, mounts or other accessories.
4. Generally, an individual may ship firearms to the manufacturer for repair or service. Some states and localities, however, prohibit this. If you live in such an area, the firearms must be shipped by and returned to a Federally Licensed Firearms Dealer.
5. Federal law prohibits persons who do not possess a Federal Firearms License from shipping a handgun via the U.S. Postal Service. (Note: Any shipment of firearms outside of the USA borders is subject to the valid law of the specific country, which you must strictly follow.)
6. SIGARMS is not responsible for any firearm until it is received, nor for damage incurred during shipment.
7. **Ship your firearms insured and prepaid (we don't accept collect shipments) to:**

SIGARMS Inc.
Attention: Service Department
18 Industrial Drive
Exeter, NH 03833
USA

Sights

The SIG SAUER pistol is equipped with drift adjustable fixed sights which have proven their worth under severe conditions. The sights consist of a rear sight and a front sight blade, designed and dimensioned to ensure rapid target acquisition even when visibility is poor. You can adjust the sights as follows:

Windage (left/right): Change windage by moving the rear sight either to the left or right in its dovetail. When you do this, follow the rear sight rule: **Move the rear sight in the direction you want the group to go.** Moving the rear sight 0.020" in the dovetail changes the point of impact by approximately 3" at 25 yards. (**Note:** SIGARMS has available a Sight Adjustment Tool which makes it easier to adjust and change sights.)

Elevation (up/down): There are different height combinations available for the front and rear sights. The sights are numbered according to their height. You can change elevation by changing either the rear or front sight. It's easier if you change the rear sight first. Each rear sight change will move the impact of the bullet approximately 2" at 25 yards. Each front sight change will move the impact of the bullet approximately 1" at 25 yards.

When changing sights, remember this rule: **NUMBERS UP, GROUPS UP; NUMBERS DOWN, GROUPS DOWN.** This is true for both front & rear sights.

Sight Options

| Front Sight | | Rear Sight | |
|-------------|-----------------|------------|----------------|
| Number | Height | Number | Height |
| 05 | 6.01 mm / .235" | 05 | 5.52 mm / .22" |
| 06 | 5.88 mm / .230" | 06 | 5.80 mm / .23" |
| 07 | 5.74 mm / .225" | 07 | 6.07 mm / .24" |
| 08 | 5.60 mm / .22" | 08 | 6.35 mm / .25" |
| 09 | 5.46 mm / .215" | 09 | 6.62 mm / .26" |
| | | 10 | 6.90 mm / .27" |

Parts

Before you order any parts, please be advised that while most gunsmiths and armorers are perfectly capable of repairing your firearm, we can't vouch for any individual's skill or workmanship. Remember, unauthorized adjustments or parts replacement can void your service policy. Your SIG SAUER pistol is a precision instrument and some replacement parts may require a trained gunsmith or armorer to ensure proper operation. Don't take chances; if your firearm ever needs service, simply return it to SIGARMS Inc. (see page 15). Remember to always specify the **MODEL**, **CALIBER** and **SERIAL NUMBER** of your pistol when ordering parts.

If you order a part without returning the pistol to SIGARMS Inc., **you** are responsible for ensuring that the part supplied is correct for your particular pistol and that it is properly installed and fitted by a qualified gunsmith or armorer.

SIGARMS Inc. CANNOT BE RESPONSIBLE FOR THE FUNCTIONING OF ANY FIREARM WHICH HAS BEEN ALTERED FROM FACTORY SPECIFICATIONS

Inspection and Maintenance

Even the best of pistols, like fine automobiles, require periodic maintenance and inspection. This may reveal a need for adjustment or repair. Even if your pistol seems to be working well, don't take chances... have it checked annually by a qualified gunsmith or armorer.

If you notice any mechanical malfunction, **STOP** using the firearm. **UNLOAD** it and take it to a qualified gunsmith or armorer immediately for a thorough examination. Similarly, if water, sand, or other debris enters the mechanism, field strip the pistol immediately and thoroughly clean it. **Failure to keep your pistol cleaned, lubricated and in proper working order could lead to serious bodily injury, death, or property damage.**

WARNING

DO NOT ATTEMPT TO DISASSEMBLE YOUR PISTOL BEYOND THE POINT EXPLAINED IN THIS MANUAL. THIS SHOULD BE DONE ONLY AT THE FACTORY.

Some of the components are installed under great spring pressure requiring special tools and fixtures for disassembly.

Warranty Statement

Based on Magnuson-Moss Warranty Act, SIGARMS Inc. offers no express warranty on their product line. However, SIGARMS Inc. recognizes its obligations concerning service to owners of SIGARMS products. SIGARMS Inc. stands behind its products and will continue to provide service to their product line as they have over the years. SIGARMS Inc. products will be serviced for a period of one year from date of retail purchase, for defects in materials or workmanship, at no charge to the purchaser. Be sure to retain your sales slip as proof of purchase date when making a claim.

This instruction manual should always accompany this pistol and be transferred with it upon change of ownership.

Service Policy

If you have questions concerning the performance or servicing of your pistol, please write or call:

SIGARMS Inc.

Attention: Service Department

18 Industrial Drive

Exeter, NH 03833 USA

Phone: 603 772-2302 Fax: 603 772-9082

**IF YOU DO NOT UNDERSTAND THE INSTRUCTIONS
FOR OPERATING YOUR PISTOL, IT IS YOUR RESPONSIBILITY
TO CALL OUR SERVICE DEPARTMENT: Phone # 603 772-2302
BEFORE USING YOUR FIREARM.**

WARNING

**DO NOT ATTEMPT TO OPERATE YOUR FIREARM UNTIL
YOU HAVE READ AND CLEARLY UNDERSTAND THE
INSTRUCTIONS CONTAINED IN YOUR PISTOL'S OWNERS
MANUAL. THE SAFETY OF YOURSELF AND THOSE AROUND
YOU IS ULTIMATELY YOUR RESPONSIBILITY.**

Specifications SIG SAUER P220 & P245

Mechanically-Locked, Recoil-Operated, Semiautomatic Pistol

Trigger: Double-Action/Single-Action (DA/SA); Double-Action Only (DAO / DAK)

- 4 Point Safety System:**
1. Patented automatic firing-pin lock
 2. Decocking Lever (DA/SA Only)
 3. Safety Intercept Notch
 4. Disconnecter

| | P220 | P245 |
|------------------------|----------------------------|---------------------------|
| Caliber | .45 ACP | .45 ACP |
| Length, overall | 7.8" | 7.28" |
| Height, overall | 5.6" | 5.0" |
| Width, overall | 1.4" | 1.34" |
| Barrel length | 4.4" | 3.9" |
| Rifling twist | 1 in 16" | 1 in 16" |
| Rifling grooves | 6 | 6 |
| Sight radius | 6.3" | 5.7" |
| Weight, w/o magazine | 27.8 oz. | 27.5 oz. |
| Weight, empty magazine | 2.6 oz. | 2.5 oz. |
| Trigger pull weight | DA 10 lbs., SA 4.5 lbs. | DA 10 lbs. SA 4.5 lbs. |
| Magazine capacity | 8 rounds | 6 rounds |

All weights and dimensions are approximate

Specifications subject to change without notice

Specifications - SIG SAUER P225

Mechanically Locked, Recoil-Operated, Semiautomatic Pistol

Trigger: Double-Action/Single-Action (DA/SA); Double-Action Only (DAO)

- 4 Point Safety System:**
1. Patented automatic firing-pin lock
 2. Decocking Lever (DA/SA Only)
 3. Safety Intercept Notch
 4. Disconnecter

| | |
|------------------------|----------------------------|
| Caliber | 9mm Luger (Parabellum) |
| Length, overall | 7.1" |
| Height, overall | 5.2" |
| Width, overall | 1.3" |
| Barrel length | 3.9" |
| Rifling twist | 1 in 10" |
| Rifling grooves | 6 |
| Sight radius | 5.7" |
| Weight, w/o magazine | 25.9 oz. |
| Weight, empty magazine | 2.7 oz. |
| Trigger pull weight | DA 10 lbs., SA 4.5 lbs. |
| Magazine capacity | 8 rounds |

All weights and dimensions are approximate
Specifications subject to change without notice

Specifications- SIG SAUER P226

Mechanically-Locked, Recoil-Operated, Semiautomatic Pistol

Trigger: Double-Action/Single-Action (DA/SA); Double-Action Only (DAO / DAK)

- 4 Point Safety System:**
1. Patented automatic firing-pin lock
 2. Decocking Lever (DA/SA Only)
 3. Safety Intercept Notch
 4. Disconnecter

| Caliber | 9mm Luger | .357 SIG | .40 S&W |
|------------------------|----------------------------|----------------------------|----------------------------|
| Length, overall | 7.7" | 7.7" | 7.7" |
| Height, overall | 5.5" | 5.5" | 5.5" |
| Width,overall | 1.5" | 1.5" | 1.5" |
| Barrel length | 4.4" | 4.4" | 4.4" |
| Rifling twist | 1 in 10" | 1 in 16" | 1 in 15" |
| Rifling grooves | 6 | 6 | 6 |
| Sight radius | 6.3" | 6.3" | 6.3" |
| Weight,w/o magazine | 28.3 oz. | 30.6 oz. | 30.6 oz. |
| Weight, empty magazine | 3.4 oz. | 3.4 oz. | 3.4 oz. |
| Trigger pull weight | DA 10 lbs., SA 4.5 lbs. | DA 10 lbs., SA 4.5 lbs. | DA 10 lbs., SA 4.5 lbs. |
| Magazine capacity | 15 rounds* | 12 rounds* | 12 rounds* |

All weights and dimensions are approximate
Specifications subject to change without notice

The .357 SIG and the .40 S&W barrels can be interchanged on the P226 and the same magazine can be used for .357 SIG or .40 S&W cartridges.

The 9mm barrel and magazine are not interchangeable with the .357 SIG or .40 S&W

*10 round magazines are available for areas that limit the possession of high capacity ammunition feeding devices to law enforcement personnel.

Specifications - SIG SAUER P228

Mechanically-Locked, Recoil-Operated, Semiautomatic Pistol

Trigger: Double-Action/Single-Action (DA/SA); Double-Action Only (DAO)

- 4 Point Safety System:**
1. Patented automatic firing-pin lock
 2. Decocking Lever (DA/SA Only)
 3. Safety Intercept Notch
 4. Disconnecter

| | |
|------------------------|----------------------------|
| Caliber | 9mm Luger (Parabellum) |
| Length, overall | 7.1" |
| Height, overall | 5.4" |
| Width, overall | 1.5" |
| Barrel length | 3.9" |
| Rifling twist | 1 in 10" |
| Rifling grooves | 6 |
| Sight radius | 5.7" |
| Weight w/o magazine | 26.2 oz. |
| Weight, empty magazine | 3.0 oz. |
| Trigger pull weight | DA 10 lbs., SA 4.5 lbs. |
| Magazine capacity | 13 rounds* |

All weights and dimensions are approximate
Specifications subject to change without notice

*10 round magazines are available for areas that limit the possession of high capacity ammunition feeding devices to law enforcement personnel.

Specifications - SIG SAUER P229

Mechanically-Locked, Recoil-Operated, Semiautomatic Pistol

Trigger: Double-Action/Single-Action (DA/SA); Double-Action Only (DAO / DAK)

- 4 Point Safety System:**
1. Patented automatic firing-pin lock
 2. Decocking Lever (DA/SA Only)
 3. Safety Intercept Notch
 4. Disconnecter

| | | | |
|------------------------|----------------------------|----------------------------|----------------------------|
| Caliber | 9mm Luger | .357 SIG | .40 S&W |
| Length, overall | 7.1" | 7.1" | 7.1" |
| Height, overall | 5.4" | 5.4" | 5.4" |
| Width, overall | 1.5" | 1.5" | 1.5" |
| Barrel length | 3.9" | 3.9" | 3.9" |
| Rifling twist | 1 in 10" | 1 in 16" | 1 in 15" |
| Rifling grooves | 6 | 6 | 6 |
| Sight radius | 5.7" | 5.7" | 5.7" |
| Weight, w/o magazine | 28.1 oz. | 29.5 oz. | 29.3 oz. |
| Weight, empty magazine | 3.0 oz. | 2.9 oz. | 2.9 oz. |
| Trigger pull weight | DA 10 lbs., SA 4.5 lbs. | DA 10 lbs., SA 4.5 lbs. | DA 10 lbs., SA 4.5 lbs. |
| Magazine capacity | 13 rounds* | 12 rounds* | 12 rounds* |

All weights and dimensions are approximate

Specifications subject to change without notice

The .357 SIG or .40 S&W barrels can be interchanged on the P229 and the same magazine can be used for .357 SIG or .40 S&W cartridges.

The 9mm barrel and magazine are not interchangeable with the .357 SIG or .40 S&W.

*10 round magazines are available for areas that limit the possession of high capacity ammunition feeding devices to law enforcement personnel.

Specifications - SIG SAUER P239

Mechanically-Locked, Recoil-Operated, Semiautomatic Pistol

Trigger: Double-Action/Single-Action (DA/SA); Double-Action Only (DAO / DAK)

- 4 Point Safety System:**
1. Patented automatic firing-pin lock
 2. Decocking Lever (DA/SA Only)
 3. Safety Intercept Notch
 4. Disconnecter

| Caliber | 9mm Luger | .357 SIG | .40 S&W |
|------------------------|---------------------------|---------------------------|---------------------------|
| Length, overall | 6.6" | 6.6" | 6.6" |
| Height, overall | 5.1" | 5.2" | 5.2" |
| Width, overall | 1.2" | 1.2" | 1.2" |
| Barrel length | 3.6" | 3.6" | 3.6" |
| Rifling twist | 1 in 10" | 1 in 16" | 1 in 15" |
| Rifling grooves | 6 | 6 | 6 |
| Sight radius | 5.2" | 5.3" | 5.3" |
| Weight, w/o magazine | 25.2 oz. | 27.4 oz. | 27.4 oz. |
| Weight, empty magazine | 2.3 oz. | 2.4 oz. | 2.4 oz. |
| Trigger pull weight | DA 9.5 lbs., SA 4 lbs. | DA 9.5 lbs., SA 4 lbs. | DA 9.5 lbs., SA 4 lbs. |
| Magazine capacity | 8 rounds | 7 rounds | 7 rounds |

All weights and dimensions are approximate

Specifications subject to change without notice

The .357 SIG and .40 S&W barrels can be interchanged in the P239.

Each caliber will require a caliber specific magazine.

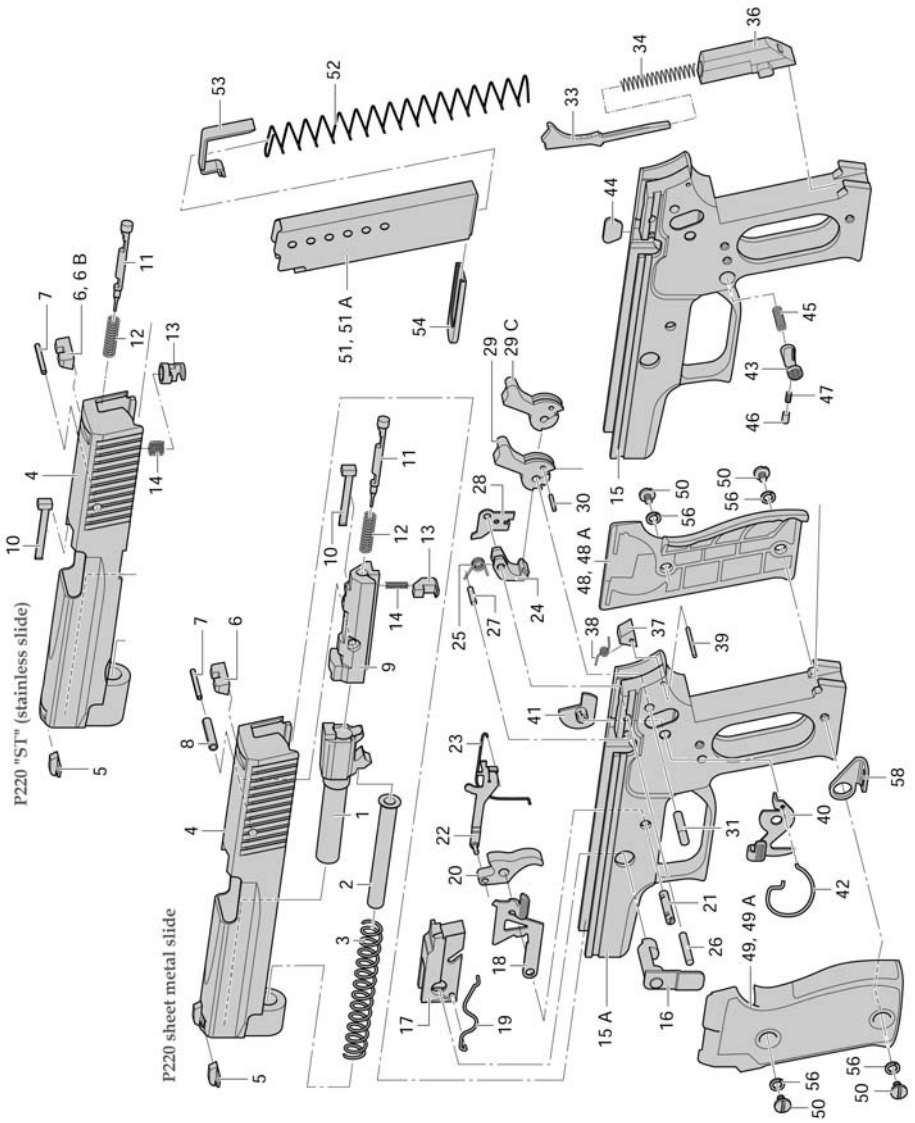
Magazines are not interchangeable between calibers.

The 9mm barrel and magazine are not interchangeable with the .357 SIG or .40 S&W

SIG Sauer Pistol

Parts Diagrams & Parts Lists

P220 Parts Diagram



P220 Parts List

| Item | Designation | Item | Designation | Item | Designation |
|----------|---|-----------------|--|----------|-------------------------|
| 1 | Barrel | 19 | Slide catch lever spring | 40 * | Decocking lever |
| 2 | Recoil spring guide | 20 | Trigger | 41 * | Decocking lever bearing |
| 3 | Recoil spring | 21 | Trigger pivot | 42 * | Decocking lever spring |
| 4 | Slide | 22 | Trigger bar | 43, 43 A | Magazine catch |
| 5 | Front sight 05/06/07/08/09 | 23 | Trigger bar spring | 44 | Support plate |
| 6 | Rear sight 05/06/07/08/09/10 | 24 | Sear | 45 | Magazine catch spring |
| 7 | Roll pin, heavy (220ST - Position Pin) | 26 | Sear spring Pivot, sear and safety lever | 46 | Magazine catch stop |
| 8 | Roll pin, heavy | 27 | Roll pin, heavy | 47 | Catch stop spring |
| 9 | Breechblock | 28 | Safety lever | 48, 48 A | Grip plate, right |
| 10 | Extractor | 29, 29 C | Hammer | 49, 49 A | Grip plate, left |
| 11 | Firing pin | 30 | Hammer strut pin | 50 | Grip plate screw |
| 12 | Firing pin spring | 31 | Hammer pivot pin | 51, 51 A | Magazine tube |
| 13 | Safety lock | 33, 33 A | Hammer strut | 52 | Magazine spring |
| 14 | Safety lock spring | 34, 34 A | Mainspring | 53 | Feeder |
| 15, 15 A | Frame | 35 A | Hammer strut roll pin | 54 | Magazine floorplate |
| 16 | Takedown lever | 36 | Mainspring seat | 56 | Serrated washer |
| 17 | Locking insert | 37 | Hammer stop | 57 A | Magazine catch pin |
| 18 | Slide catch lever | 38 | Reset spring | 58 | Lanyard loop |
| | | 39 | Hammer stop pin | | |

For the accompanying figure to the list, see page 26.

Essential information when ordering spare parts

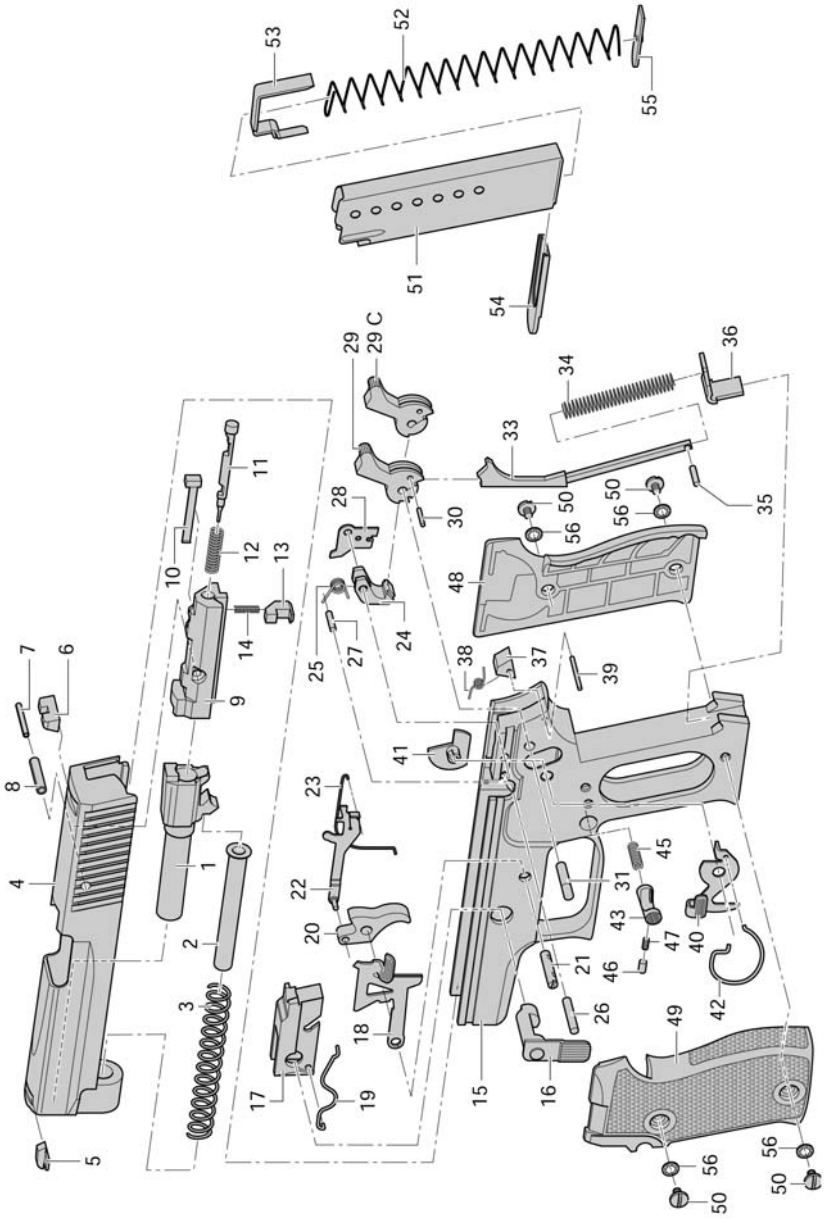
- Pistol model (caliber, designation)
- Pistol serial number
- Item number and index
- Part designation

Index explanation

- A = P 220 (European)
- B = P 220-1(American)
- C = P 220-1 DAO
- * = not for P 220-1 DAO
- **BOLD = Different for DAK**

Never install a standard hammer 29 in a DAO / DAK pistol.

P225 Parts Diagram



P225 Parts List

| Item | Designation | Item | Designation | Item | Designation |
|------|---------------------------------|----------|------------------------------|------|-------------------------|
| 1 | Barrel | 19 | Slide catch lever spring | 38 | Reset spring |
| 2 | Recoil spring guide | 20 | Trigger | 39 | Hammer stop pin |
| 3 | Recoil spring | 21 | Trigger pivot | 40 * | Decocking lever |
| 4 | Slide | 22 | Trigger bar | 41 * | Decocking lever bearing |
| 5 | Front sight 05/06/07/08/09 | 23 | Trigger bar spring | 42 * | Decocking lever spring |
| 6 | Rear sight 05/06/07/08/09/10 | 24 | Sear | 43 | Magazine catch |
| 7 | Roll pin, heavy | 25 | Sear spring | 45 | Magazine catch spring |
| 8 | Roll pin, heavy | 26 | Pivot, sear and safety lever | 46 | Magazine catch stop |
| 9 | Breechblock | 27 | Roll pin, heavy | 47 | Catch stop spring |
| 10 | Extractor | 28 | Safety lever | 48 | Grip plate, right |
| 11 | Firing pin | 29, 29 C | Hammer | 49 | Grip plate, left |
| 12 | Firing pin spring | 30 | Hammer strut pin | 50 | Grip plate screw |
| 13 | Safety lock | 31 | Hammer pivot pin | 51 | Magazine tube |
| 14 | Safety lock spring | 33 | Hammer strut | 52 | Magazine spring |
| 15 | Frame | 34 | Mainspring | 53 | Feeder |
| 16 | Takedown lever | 35 | Hammer strut roll pin | 54 | Magazine floorplate |
| 17 | Locking insert | 36 | Mainspring seat | 55 | Floorplate insert |
| 18 | Slide catch lever | 37 | Hammer stop | 56 | Serrated washer |

For the accompanying figure to the list, see page 28.

Essential information when ordering spare parts

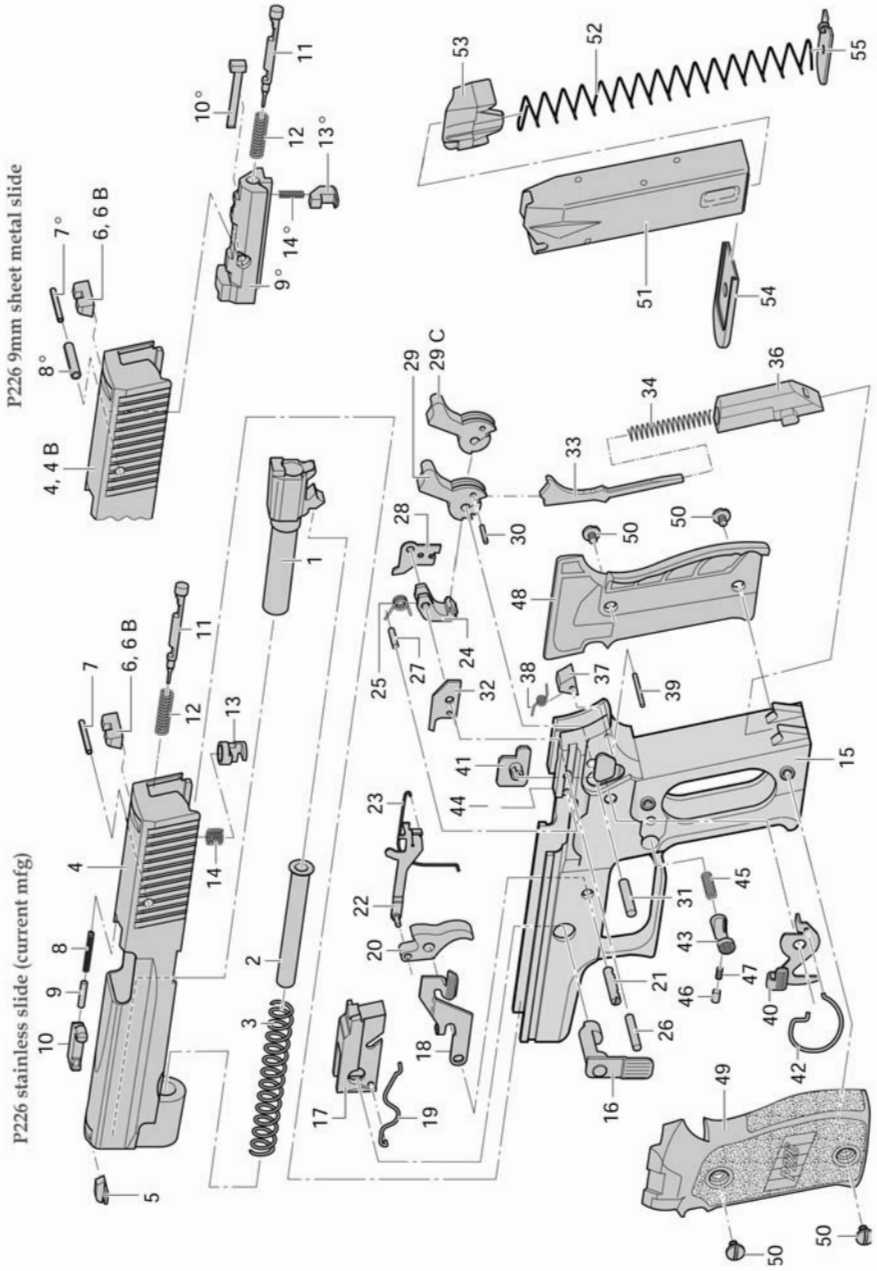
- Pistol model (caliber, designation)
- Pistol serial number
- Item number and index
- Part designation

Index explanation

- C = P 225 DAO
- * = not for P 225 DAO

Never install a standard hammer 29 in a DAO pistol.

P226 Parts Diagram



P226 Parts List

| Item | Designation | Item | Designation | Item | Designation |
|----------|---------------------------------|----------|------------------------------|------|-------------------------|
| 1 | Barrel | 16 | Takedown lever | 37 | Hammer stop |
| 2 | Recoil spring guide | 17 | Locking insert | 38 | Reset spring |
| 3 | Recoil spring | 18 | Slide catch lever | 39 | Hammer stop pin |
| 4, 4 B | Slide | 19 | Slide catch lever spring | 40 * | Decocking lever |
| 5 | Front sight | 20 | Trigger | 41 * | Decocking lever bearing |
| 6 | Front sight 05/06/07/08/09 | 21 | Trigger pivot | 42 * | Decocking lever spring |
| 6 B | Rear sight 05/06/07/08/09/10 | 22 | Trigger bar | 43 | Magazine catch |
| 7 ° | Micrometre rear sight | 23 | Trigger bar spring | 44 | Support plate |
| 7 | Roll pin, heavy | 24 | Sear | 45 | Magazine catch spring |
| 8 ° | Firing pin bolt | 25 | Sear spring | 46 | Magazine catch stop |
| 8 | Roll pin, heavy | 26 | Pivot, sear and safety lever | 47 | Catch stop spring |
| 9 ° | Extractor spring | 27 | Roll pin, heavy | 48 | Grip plate, right |
| 9 | Breechblock | 28 | Safety lever | 49 | Grip plate, left |
| 10, 10 ° | Extractor bolt | 29, 29 C | Hammer | 50 | Grip plate screw |
| 11 | Extractor | 30 | Hammer strut pin | 51 | Magazine tube |
| 12 | Firing pin | 31 | Hammer pivot pin | 52 | Magazine spring |
| 13, 13 ° | Firing pin spring | 32 | Ejector | 53 | Feeder |
| 14, 14 ° | Safety lock | 33 | Hammer strut | 54 | Magazine floorplate |
| 15 | Safety lock spring | 34 | Mainspring | 55 | Floorplate insert |
| | Frame | 36 | Mainspring seat | | |

For the accompanying figure to the list, see page 30.

Essential information when ordering spare parts

- Pistol model (caliber, designation)
- Pistol serial number
- Item number and index
- Part designation

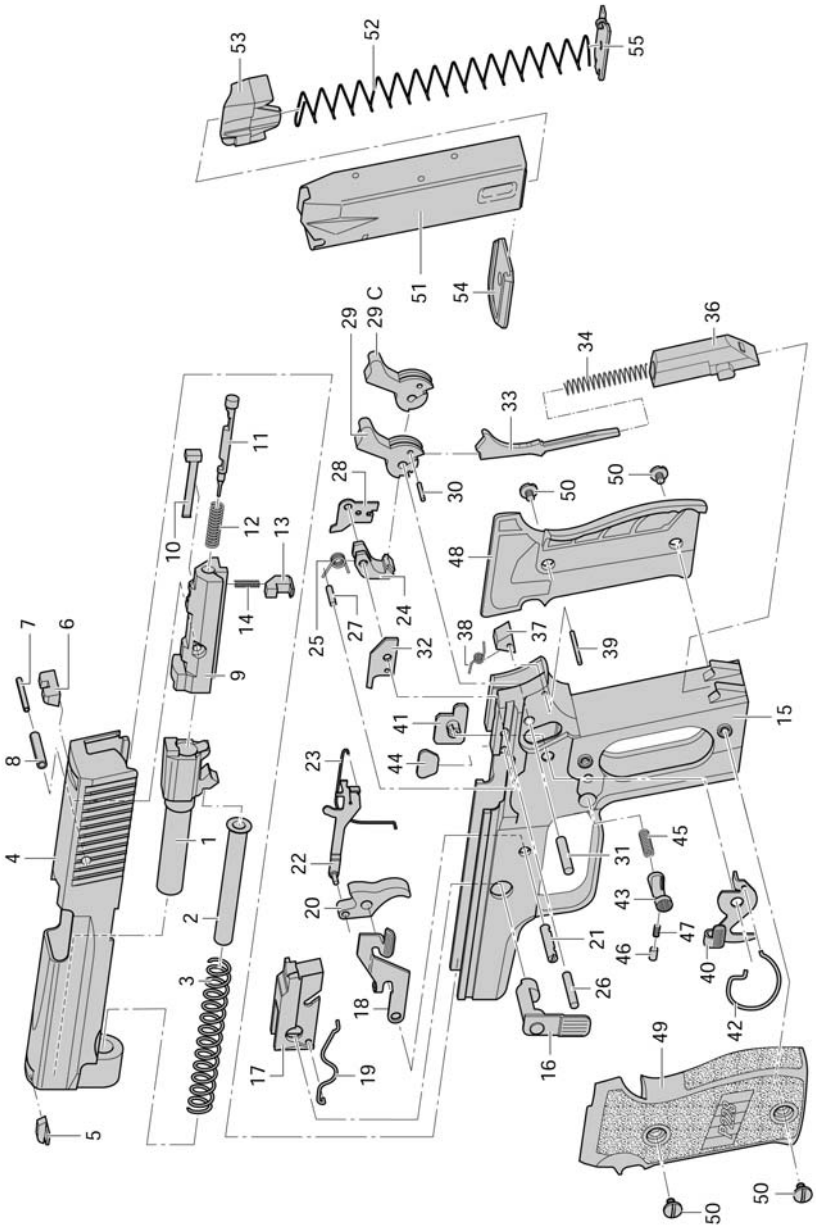
Index explanation

- B = P 226 Sport
- C = P 226 DAO
- * = not for P 226 DAO
- ° = sheet metal slide

- **BOLD = Different for DAK**

Never install a standard hammer 29 in a DAO / DAK pistol.

P228 Parts Diagram



P228 Parts List

| Item | Designation | Item | Designation | Item | Designation |
|------|---------------------------------|----------|------------------------------|------|-------------------------|
| 1 | Barrel | 20 | Trigger | 40 * | Decocking lever |
| 2 | Recoil spring guide | 21 | Trigger pivot | 41 * | Decocking lever bearing |
| 3 | Recoil spring | 22 | Trigger bar | 42 * | Decocking lever spring |
| 4 | Slide | 23 | Trigger bar spring | 43 | Magazine catch |
| 5 | Front sight 05/06/07/08/09 | 24 | Sear | 44 | Support plate |
| 6 | Rear sight 05/06/07/08/09/10 | 25 | Sear spring | 45 | Magazine catch spring |
| 7 | Roll pin, heavy | 26 | Pivot, sear and safety lever | 46 | Magazine catch stop |
| 8 | Roll pin, heavy | 27 | Roll pin, heavy | 47 | Catch stop spring |
| 9 | Breechblock | 28 | Safety lever | 48 | Grip plate, right |
| 10 | Extractor | 29, 29 C | Hammer | 49 | Grip plate, left |
| 11 | Firing pin | 30 | Hammer strut pin | 50 | Grip plate screw |
| 12 | Firing pin spring | 31 | Hammer pivot pin | 51 | Magazine tube |
| 13 | Safety lock | 32 | Ejector | 52 | Magazine spring |
| 14 | Safety lock spring | 33 | Hammer strut | 53 | Feeder |
| 15 | Frame | 34 | Mainspring | 54 | Magazine floorplate |
| 16 | Takedown lever | 35 | Hammer strut roll pin | 55 | Floorplate insert |
| 17 | Locking insert | 36 | Mainspring seat | | |
| 18 | Slide catch lever | 37 | Hammer stop | | |
| 19 | Slide catch lever spring | 38 | Reset spring | | |
| | | 39 | Hammer stop pin | | |

For the accompanying figure to the list, see page 32.

Essential information when ordering spare parts

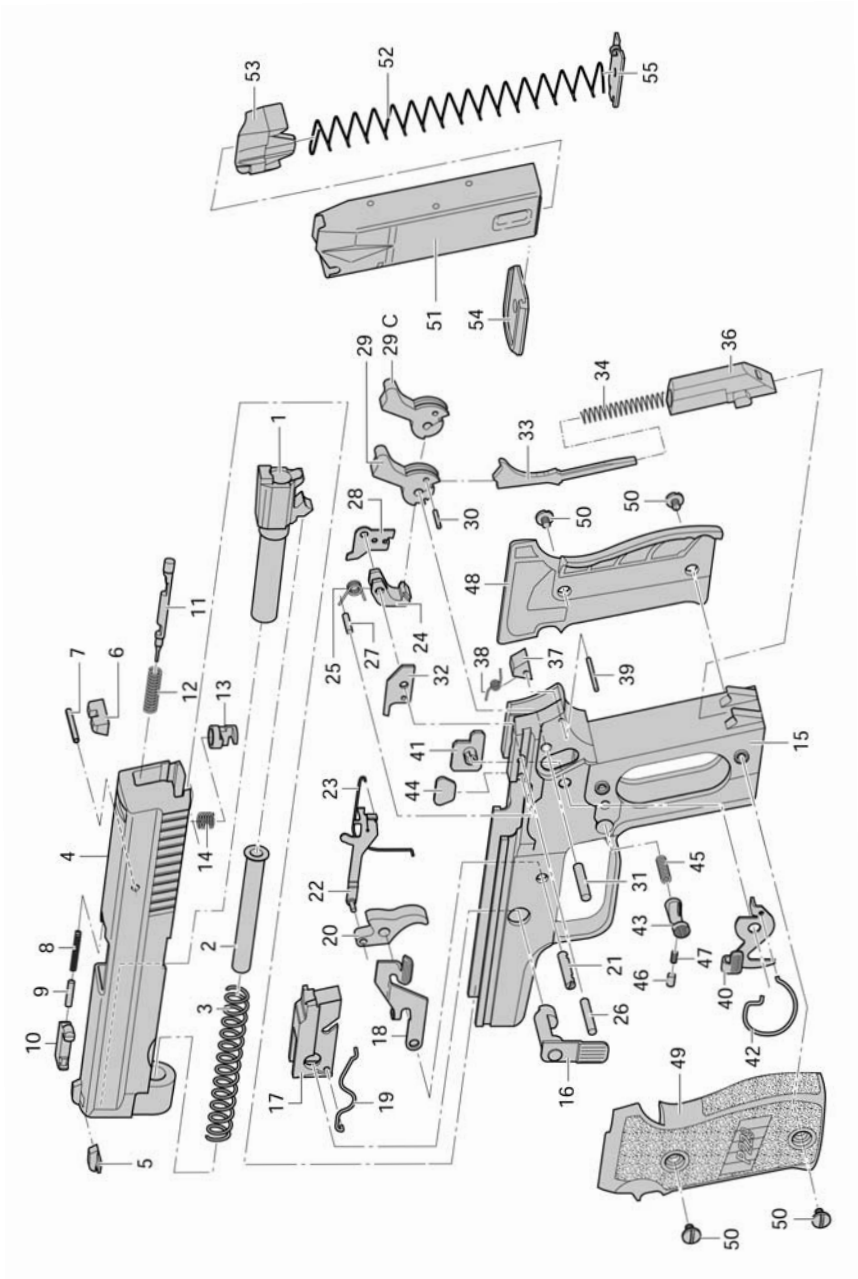
- Pistol model (caliber, designation)
- Pistol serial number
- Item number and index
- Part designation

Index explanation

- C = P 228 DAO
- * = not for P 228 DAO

Never install a standard hammer 29 in a DAO pistol.

P229 Parts Diagram



P229 Parts List

| Item | Designation | Item | Designation | Item | Designation |
|------|---------------------------------|-----------------|------------------------------|------|-------------------------|
| 1 | Barrel | 20 | Trigger | 40 * | Decocking lever |
| 2 | Recoil spring guide | 21 | Trigger pivot | 41 * | Decocking lever bearing |
| 3 | Recoil spring | 22 | Trigger bar | 42 * | Decocking lever spring |
| 4 | Slide | 23 | Trigger bar spring | 43 | Magazine catch |
| 5 | Front sight 05/06/07/08/09 | 24 | Sear | 44 | Support plate |
| 6 | Rear sight 05/06/07/08/09/10 | 25 | Sear spring | 45 | Magazine catch spring |
| 7 | Firing pin bolt | 26 | Pivot, sear and safety lever | 46 | Magazine catch stop |
| 8 | Extractor spring | 27 | Roll pin, heavy | 47 | Catch stop spring |
| 9 | Extractor bolt | 28 | Safety lever | 48 | Grip plate, right |
| 10 | Extractor | 29, 29 C | Hammer | 49 | Grip plate, left |
| 11 | Firing pin | 30 | Hammer strut pin | 50 | Grip plate screw |
| 12 | Firing pin spring | 31 | Hammer pivot pin | 51 | Magazine tube |
| 13 | Safety lock | 32 | Ejector | 52 | Magazine spring |
| 14 | Safety lock spring | 33 | Hammer strut | 53 | Feeder |
| 15 | Frame | 34 | Mainspring | 54 | Magazine floorplate |
| 16 | Takedown lever | 36 | Mainspring seat | 55 | Floorplate insert |
| 17 | Locking insert | 37 | Hammer stop | | |
| 18 | Slide catch lever | 38 | Reset spring | | |
| 19 | Slide catch lever spring | 39 | Hammer stop pin | | |

For the accompanying figure to the list, see page 34.

Essential information when ordering spare parts

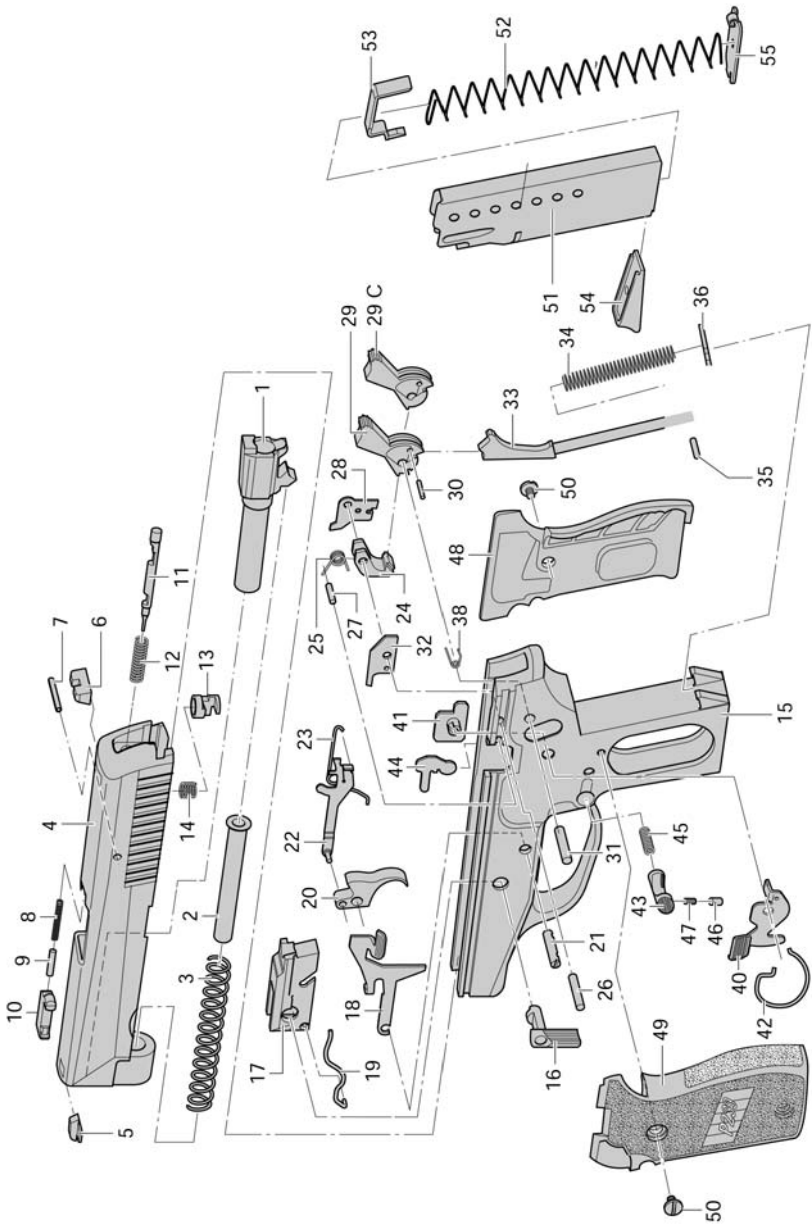
- Pistol model (caliber, designation)
- Pistol serial number
- Item number and index
- Part designation

Index explanation

- C = P 229 DAO
- * = not for P 229 DAO
- **BOLD = Different for DAK**

Never install a standard hammer 29 in a DAO / DAK pistol.

P239 Parts Diagram



P239 Parts List

| Item | Designation | Item | Designation | Item | Designation |
|------|---------------------------------|-----------------|---------------------------------|------|------------------------|
| 1 | Barrel | 20 | Trigger | 42 * | Decocking lever spring |
| 2 | Recoil spring guide | 21 | Trigger pivot | 43 | Magazine catch |
| 3 | Recoil spring | 22 | Trigger bar | 44 | Support plate |
| 4 | Slide | 23 | Trigger bar spring | 45 | Magazine catch spring |
| 5 | Front sight 05/06/07/08/09 | 24 | Sear | 46 | Magazine catch stop |
| 6 | Rear sight 05/06/07/08/09/10 | 25 | Sear spring | 47 | Catch stop spring |
| 7 | Firing pin bolt | 26 | Pivot, sear and safety lever | 48 | Grip plate, right |
| 8 | Extractor spring | 27 | Roll pin, heavy | 49 | Grip plate, left |
| 9 | Extractor bolt | 28 | Safety lever | 50 | Grip plate screw |
| 10 | Extractor | 29, 29 C | Hammer | 51 | Magazine tube |
| 11 | Firing pin | 30 | Hammer strut pin | 52 | Magazine spring |
| 12 | Firing pin spring | 31 | Hammer pivot pin | 53 | Feeder |
| 13 | Safety lock | 32 | Ejector | 54 | Magazine floorplate |
| 14 | Safety lock spring | 33 | Hammer strut | 55 | Floorplate insert |
| 15 | Frame | 34 | Mainspring | | |
| 16 | Takedown lever | 35 | Hammer strut roll pin | | |
| 17 | Locking insert | 36 | Mainspring seat | | |
| 18 | Slide catch lever | 38 | Reset spring | | |
| 19 | Slide catch lever spring | 40 * | Decocking lever | | |
| | | 41 * | Decocking lever bearing | | |

For the accompanying figure to the list, see page 36.

Essential information when ordering spare parts

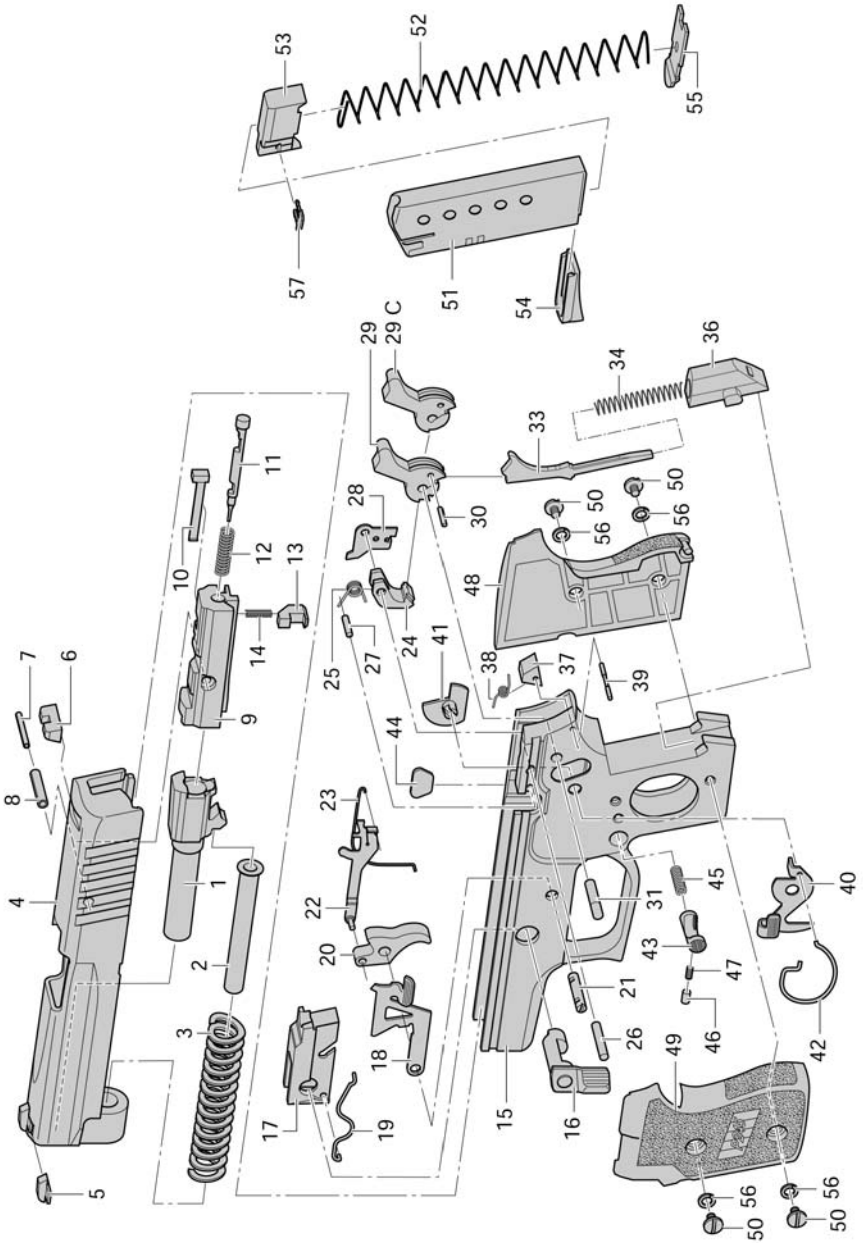
- Pistol model (caliber, designation)
- Pistol serial number
- Item number and index
- Part designation

Index explanation

- C = P 239 DAO
- * = not for P 239 DAO
- **BOLD = Different for DAK**

Never install a standard hammer 29 in a DAO / DAK pistol.

P245 Parts Diagram



P245 Parts List

| Item | Designation | Item | Designation | Item | Designation |
|------|---------------------------------|-----------------|------------------------------|------|-------------------------|
| 1 | Barrel | 19 | Slide catch lever spring | 40 * | Decocking lever |
| 2 | Recoil spring guide | 20 | Trigger | 41 * | Decocking lever bearing |
| 3 | Recoil spring | 21 | Trigger pivot | 42 * | Decocking lever spring |
| 4 | Slide | 22 | Trigger bar | 43 | Magazine catch |
| 5 | Front sight 05/06/07/08/09 | 23 | Trigger bar spring | 44 | Support plate |
| 6 | Rear sight 05/06/07/08/09/10 | 24 | Sear | 45 | Magazine catch spring |
| 7 | Roll pin, heavy | 25 | Sear spring | 46 | Magazine catch stop |
| 8 | Roll pin, heavy | 26 | Pivot, sear and safety lever | 47 | Catch stop spring |
| 9 | Breechblock | 27 | Roll pin, heavy | 48 | Grip plate, right |
| 10 | Extractor | 28 | Safety lever | 49 | Grip plate, left |
| 11 | Firing pin | 29, 29 C | Hammer | 50 | Grip plate screw |
| 12 | Firing pin spring | 30 | Hammer strut pin | 51 | Magazine tube |
| 13 | Safety lock | 31 | Hammer pivot pin | 52 | Magazine spring |
| 14 | Safety lock spring | 33 | Hammer strut | 53 | Feeder |
| 15 | Frame | 34 | Mainspring | 54 | Magazine floorplate |
| 16 | Takedown lever | 35 | Hammer strut roll pin | 55 | Floorplate insert |
| 17 | Locking insert | 36 | Mainspring seat | 56 | Serrated washer |
| 18 | Slide catch lever | 37 | Hammer stop | | |
| | | 38 | Reset spring | | |
| | | 39 | Hammer stop pin | | |

For the accompanying figure to the list, see page 38.

Essential information when ordering spare parts

- Pistol model (caliber, designation)
- Pistol serial number
- Item number and index
- Part designation

Index explanation

- C = P 245 DAO
- * = not for P 245 DAO
- **BOLD = Different for DAK**

Never install a standard hammer 29 in a DAO / DAK pistol.

*Be aware of those around you.
If their actions are not in keeping with
safe gun handling procedures,
TELL THEM.*

IMPORTANT

**Do not discard. Keep this manual with your firearm. Upon
change of ownership, transfer this manual
with the firearm.**

SIGARMS®

*SIGARMS Inc.
18 Industrial Drive
Exeter, NH 03833
(603) 772-2302
www.sigarms.com*

SIG SAUER®, SIG®, and SIGLITE®
are registered trademarks of SIGARMS Inc.
All specifications are subject to change without notice.